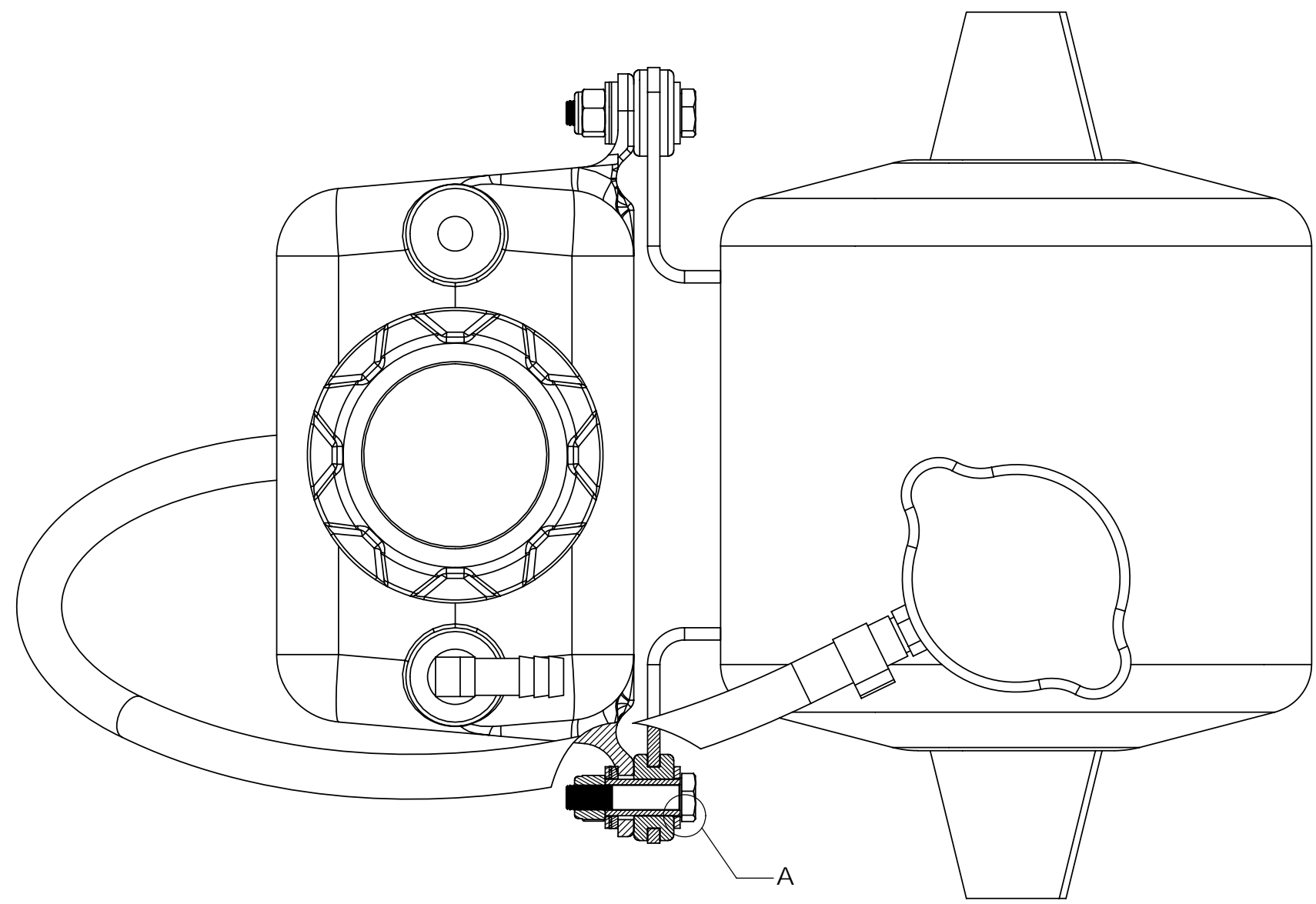
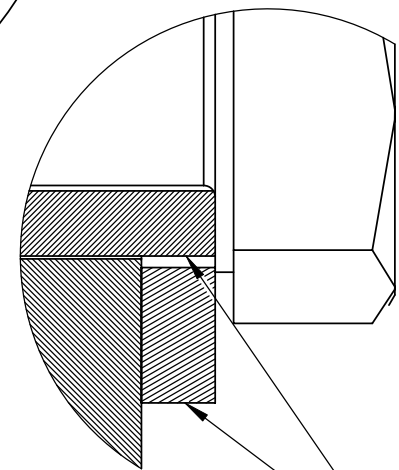
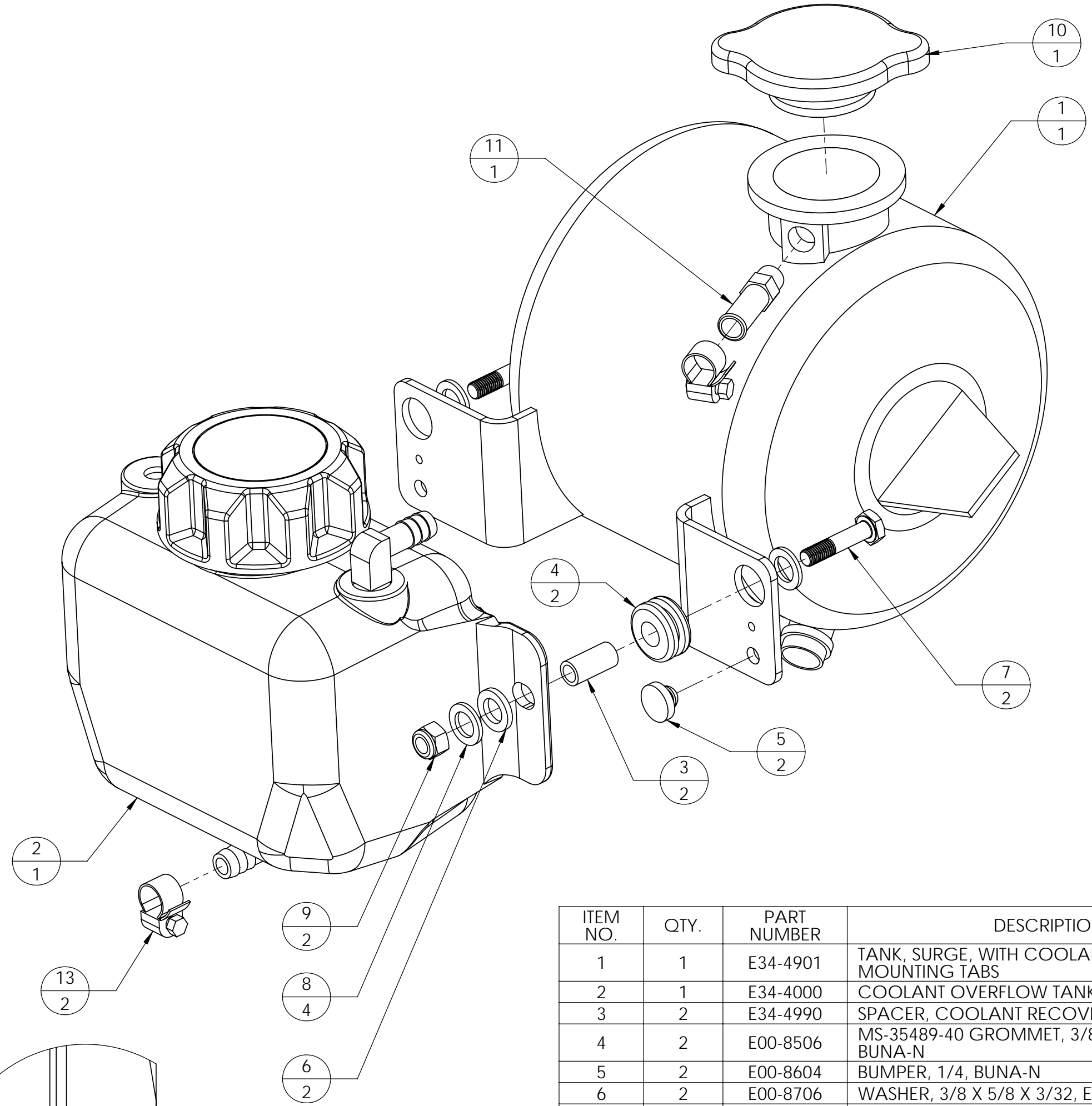
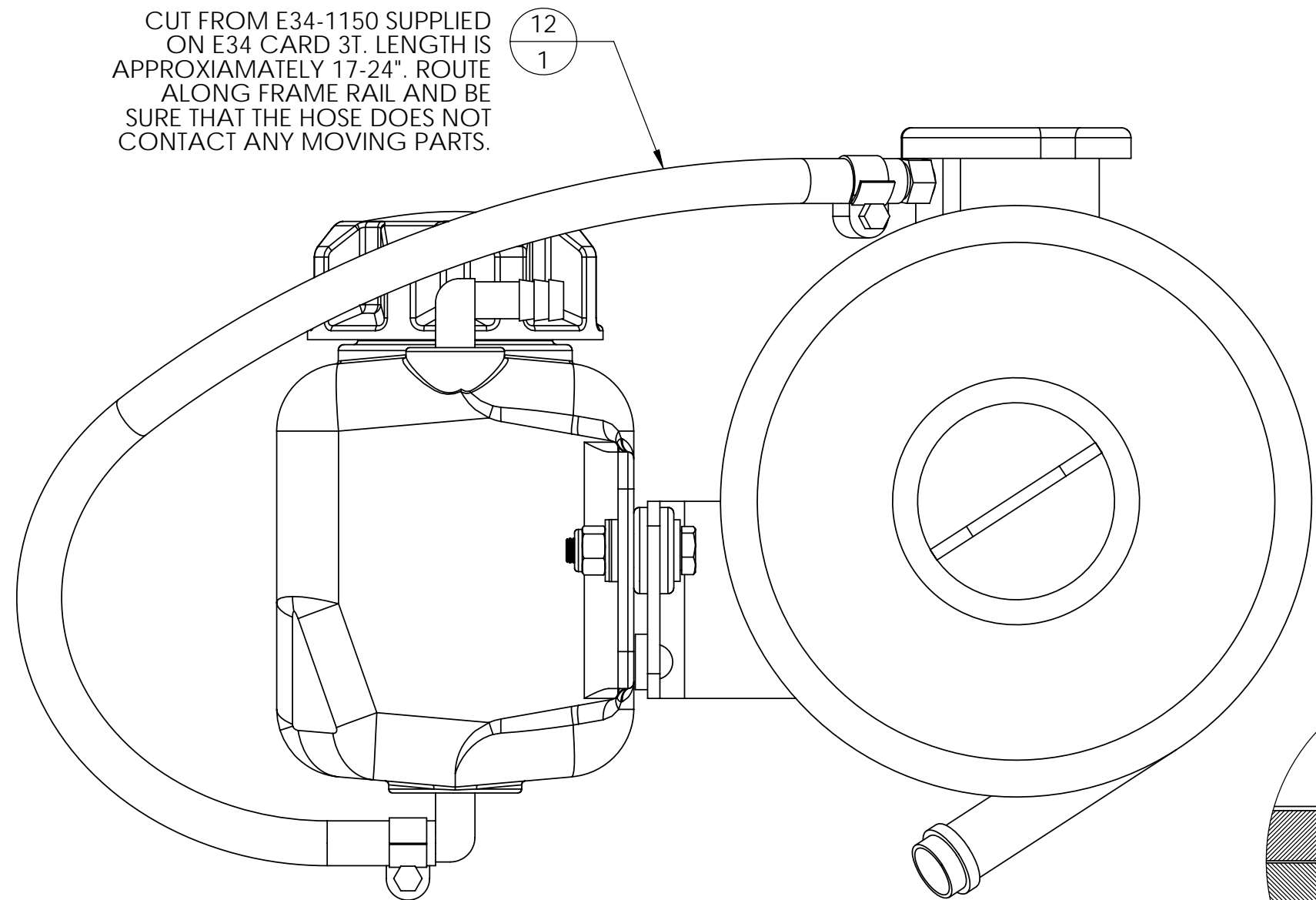


REVISIONS					
REV	DESCRIPTION	ECO #	DATE	ENG. APR.	MFG. APR.
A	INITIAL RELEASE	N/A	DEC-03-2009	RMc	



CUT FROM E34-1150 SUPPLIED ON E34 CARD 3T. LENGTH IS APPROXIAMATELY 17-24". ROUTE ALONG FRAME RAIL AND BE SURE THAT THE HOSE DOES NOT CONTACT ANY MOVING PARTS.



4X BE SURE 3/8 WASHER GOES AROUND SPACER

DETAIL A
SCALE 6 : 1

NOTES UNLESS OTHERWISE SPECIFIED:

- BUILDER ASSEMBLED.
- TIGHTEN 1/4 AN BOLTS TO APROXIMATLY 10 FT/LB PER MIL-HDBK-60

ITEM NO.	QTY.	PART NUMBER	DESCRIPTION
1	1	E34-4901	TANK, SURGE, WITH COOLANT RECOVERY MOUNTING TABS
2	1	E34-4000	COOLANT OVERFLOW TANK W\CAP
3	2	E34-4990	SPACER, COOLANT RECOVERY
4	2	E00-8506	MS-35489-40 GROMMET, 3/8 ID 1/8 PANEL, BUNA-N
5	2	E00-8604	BUMPER, 1/4, BUNA-N
6	2	E00-8706	WASHER, 3/8 X 5/8 X 3/32, EPDM (RUBBER)
7	2	E00-2406	AN4-11A 1/4 X 1 1/8 BOLT
8	4	E00-4600	AN960-C616 REGULAR WASHER 3/8
9	2	E00-3402	NUT, SELF LOCKING, NONMETALIC INSERT, 1/4-28, AN365-428A / MS20365-428A
10	1	E34-1180	RADIATOR CAP, 16 LB.
11	1	E34-4910	FITTING, 1/8 NPT X 3/8 BARD, ALUMINUM
12	1	E34-8220	HOSE, 3/8 ID
13	2	E00-9004	HOSE CLAMP, SAE 4, 7/32 TO 5/8 ID

UNLESS OTHERWISE SPECIFIED: DIMENSIONS ARE IN INCHES TOLERANCES:		NAME	DATE	
DECIMAL PLACES: X.X - ±0.1 X.XX - ±0.03 X.XXX - ±0.010		DRAWN	DEC-03-2009	
ANGLES: ±1		CHECK	-	
THIRD ANGLE PROJECTION		ENG	-	
INTERPRET PER ASME Y14.5M-1994		MFG	-	TITLE: COOLANT RECOVERY KIT, COMPLETE
DO NOT SCALE DRAWING		Q.A.	-	
PROPRIETARY AND CONFIDENTIAL THE INFORMATION CONTAINED IN THIS DRAWING IS THE SOLE PROPERTY OF ROTORWAY INTERNATIONAL. ANY REPRODUCTION IN PART OR AS A WHOLE WITHOUT THE WRITTEN PERMISSION OF ROTORWAY INTERNATIONAL IS PROHIBITED.		SIZE	DWG. NO.	REV
		C	E34-4500	A
		SCALE:2:3	WGT:	SHT 1 OF 1